

OSI SPLIT-CORE CURRENT TRANSFORMERS MODEL SCCT-

FEATURES

- 0.5% Accuracy
- Split-core
- AC Output 26.6mA

LOW COST

18 MONTH WARRANTY



APPLICATIONS

- For use with ESP3 series Watt transducers
- Other metering applications

MODEL SELECTION

INPUT AC AMPS	STANDARD OUTPUT MODEL SCCT-
	0-26.6mAac
0 - 200	013-200
0 - 400	032-400

Optional inputs and outputs are available, consult factory.

Intended for use over insulated conductors only!

ORDERING INFORMATION

Example: 200Aac Input, with a 26.6mAac Output.

SCCT-013-200

SPECIFICATIONS

INPUT

Current(See Model Selection Chart)
 Over-current 1.2 X F.S.
 Frequency Range..... 50-60Hz

OUTPUT

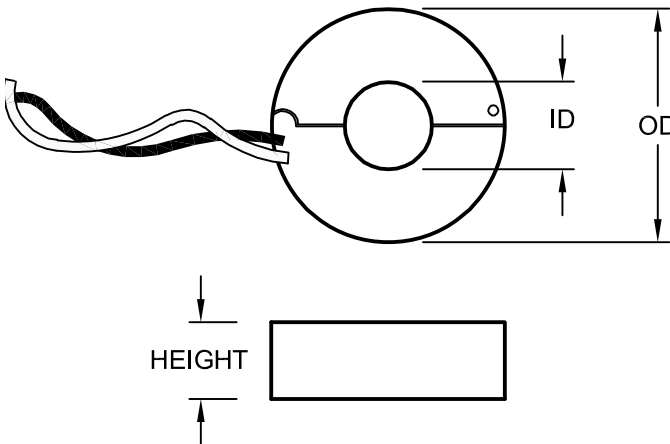
Scaling0-F.S. Input = 0-26.6mAac Output
 Burden..... 1VA

ACCURACY ±0.5% F.S.

PHYSICAL & ENVIRONMENTAL

Weight(See Dimension Chart)
 Lead Length 72"
 Lead Type.....22AWG stranded, White (X1) & Black
 Operating Temperature55°C Max.

SENSOR DIMENSIONS



MODEL SCCT-	DIMENSIONS (inches)			WT. (lbs.)
	Height	ID	OD	
013-200	0.8	0.53	1.73	0.2
032-400	0.8	1.26	3.11	0.5

Dwg# 0902-00851-B Rev A